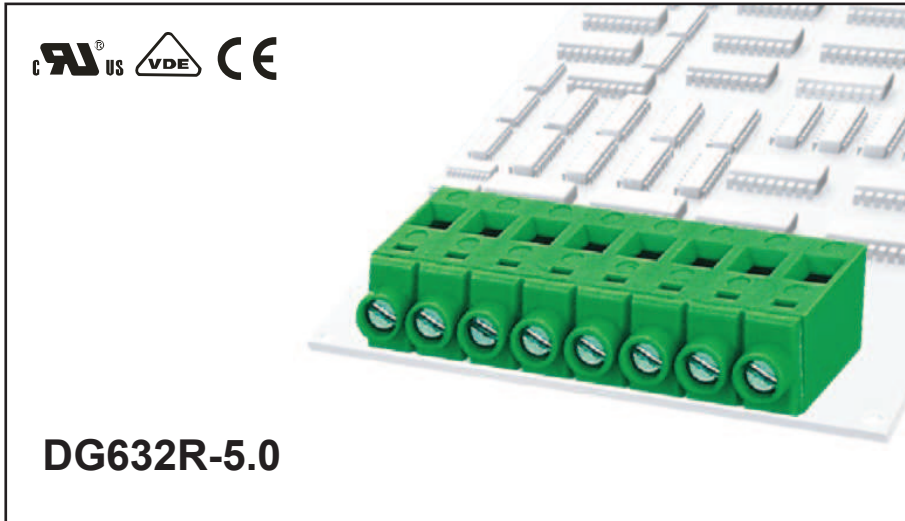


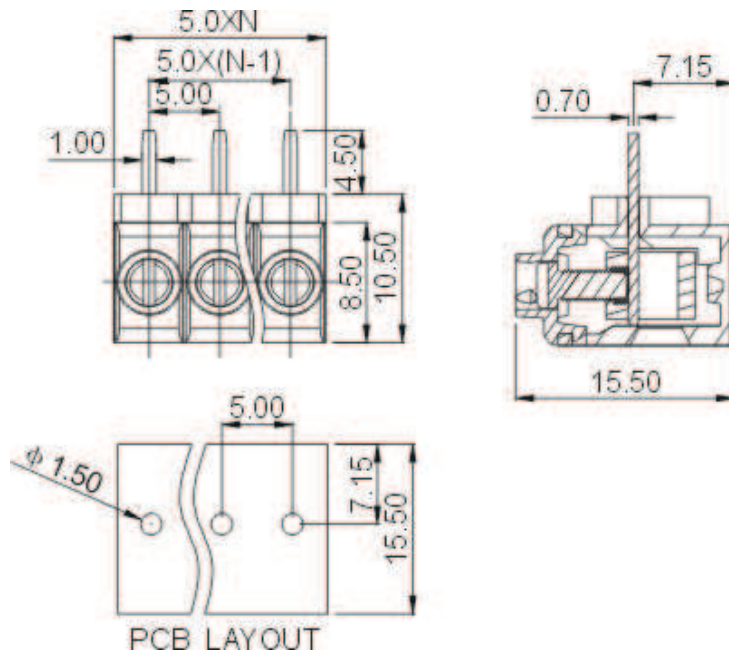


DEGSON ELECTRONICS CO., LTD.

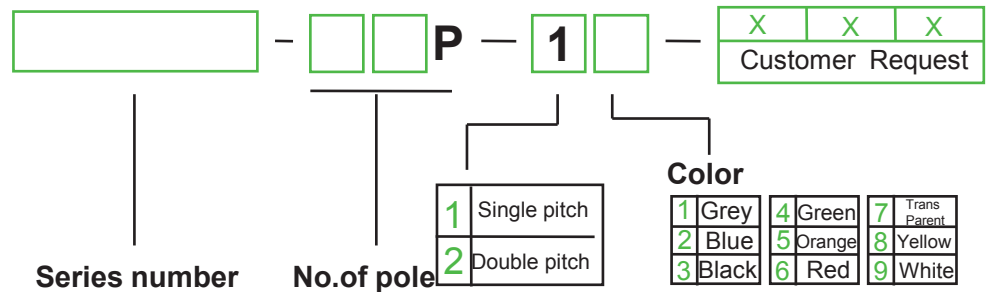
Product Specification



APPROVAL		
Electrical	UL	IEC
Standard	300V	250V
Rated voltage	15A	24A
Rated current	28-12AWG	0.5-2.5mm ²
Wire range	AC2000V/1Min	
Withstanding voltage		
Menchanical		
Torque	0.4Nm(3.5Lb-In)	
Ambient temperature	-40°C~+105 °C	
Strip length	6-7mm	
Dimensions		
pitch	5.0mm(.197")	
Poles	2P-20P	
Material		
Housing	PA66,UL94V-0	
Screws	M2.5,Steel, Cr ³⁺ Znplated	
Pin header	Brass,Tin-plated	
Cage	Brass,Ni-plated	



HOW TO ORDER :



	DEGSON ELECTRONICS CO., LTD.
	NAME DG632R-5.0