

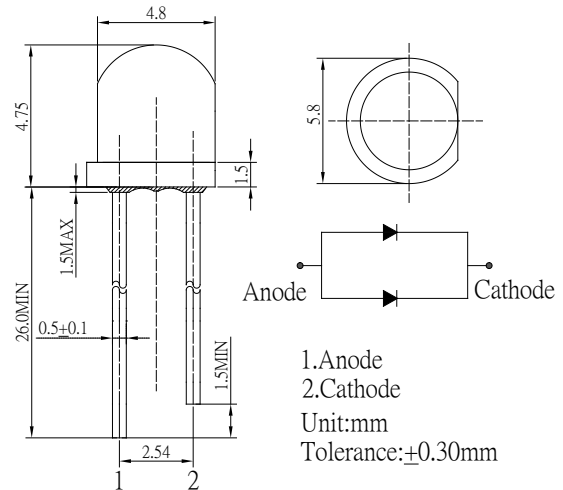
### ■Features

- Highest Luminous Flux
- 4.8mm Straw Standard Directivity
- Long Lifetime Operation
- Superior UV Resistance
- Water Clear Type

### ■Applications

- Electronic Signs And Signals
- Small Area Illuminations
- Back Lighting
- Other Lighting
- Bollards / Security / Garden
- Traffic signaling / Beacons

### ■Outline Dimension



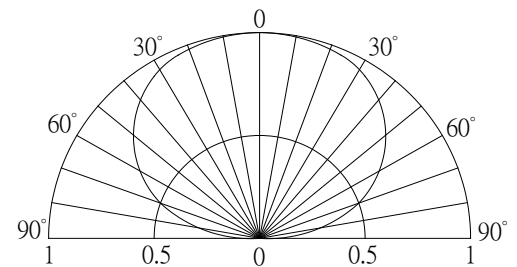
### ■Absolute Maximum Rating

(Ta=25°C)

Item	Symbol	Value		Unit
		B/PG	R/Y	
DC Forward Current	I <sub>F</sub>	60	80	mA
Pulse Forward Current*	I <sub>FP</sub>	150	150	mA
Reverse Voltage	V <sub>R</sub>	5	5	V
Power Dissipation	P <sub>D</sub>	216	208	mW
Operating Temperature	Topr	-40 ~ +85		°C
Storage Temperature	Tstg	-40~ +85		°C
Lead Soldering Temperature	Tsol	260°C/5sec		-

\*Pulse width Max 0.1ms, Duty ratio max 1/10

### ■Directivity



### ■Electrical -Optical Characteristics

(Ta=25°C)

Part Number	Color			V <sub>F</sub> (V)			I <sub>R</sub> (μA)	Φ <sub>v</sub> (lm)*			λ <sub>D</sub> (nm)*			2θ1/2(deg)
				Min.	Typ.	Max.	Max.	Min.	Typ.	Max.	Min.	Typ.	Max.	Typ.
				I <sub>F</sub> =60mA			V <sub>R</sub> =5V	I <sub>F</sub> =60mA						
SLQ5AZ8L-140	Blue	B		2.8	3.1	3.6	20	6	8	-	465	470	475	140
SLQ5VP20L-140	Pure Green	G		2.8	3.1	3.6	20	16	20	-	520	525	530	140
SLQ5A10L-140	Yellow	Y		1.8	2.1	2.6	20	8	10	-	585	590	595	140
SLQ5R10L-140	Red	R		1.8	2.1	2.6	20	8	10	-	620	625	630	140

Note: \*1. Dominant wavelength tolerance: ±1nm

\*2. Tolerance of luminous Flux is ±15%